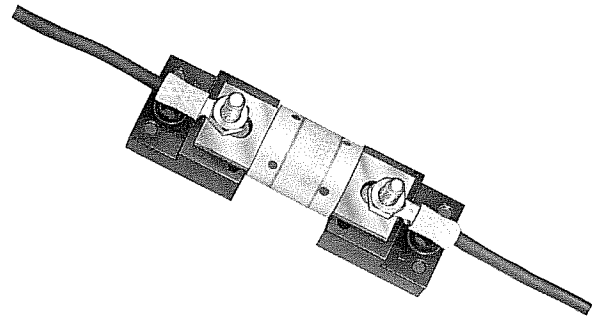
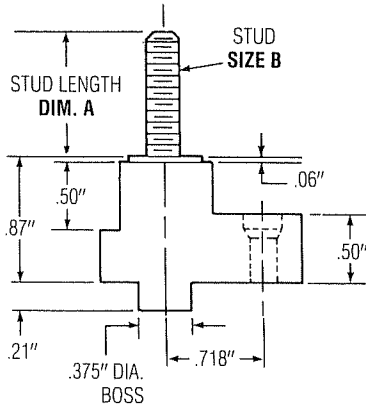
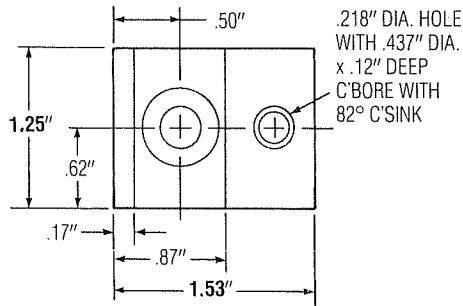


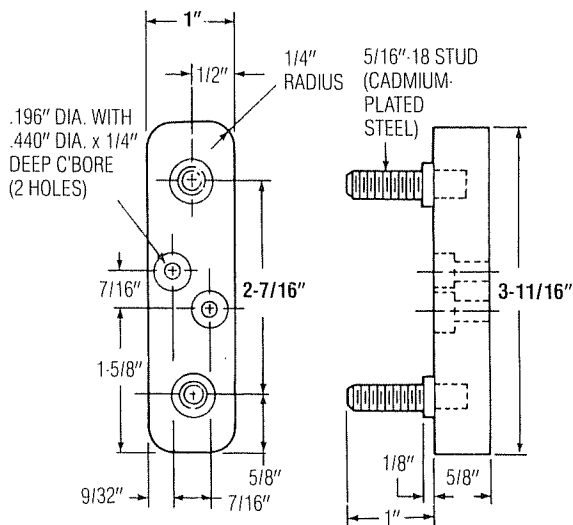
PART NO.	A STUD HEIGHT	B STUD DIA. AND THREADS
C5268-1	1.00"	5/16-18
C5268-2	1.75"	5/16-18
C5268-3	0.75"	5/16-18
C5268-4	1.00"	1/4-20
C5268-5	1.75"	1/4-20

Suggested tightening torque for terminal nuts:
70 inch-pounds on 1/4" studs;
150 inch-pounds on 5/16" studs.



- Modular design in pairs offers you design and manufacturing flexibility.
- Mounting dimensions can be varied to accommodate a wide range of fuse sizes.
- Reduces inventory requirements by eliminating need for many different size fuse holders.
- Also offered in one piece, 1-pole and 3-pole rectifier fuse holders with 2-7/16" mounting centers: Part Nos. C2617-1 and C2617-3.

Single-Pole Rectifier Fuse Holder — Model C2617-1



Three-Pole Rectifier Fuse Holder — Model C2617-3

